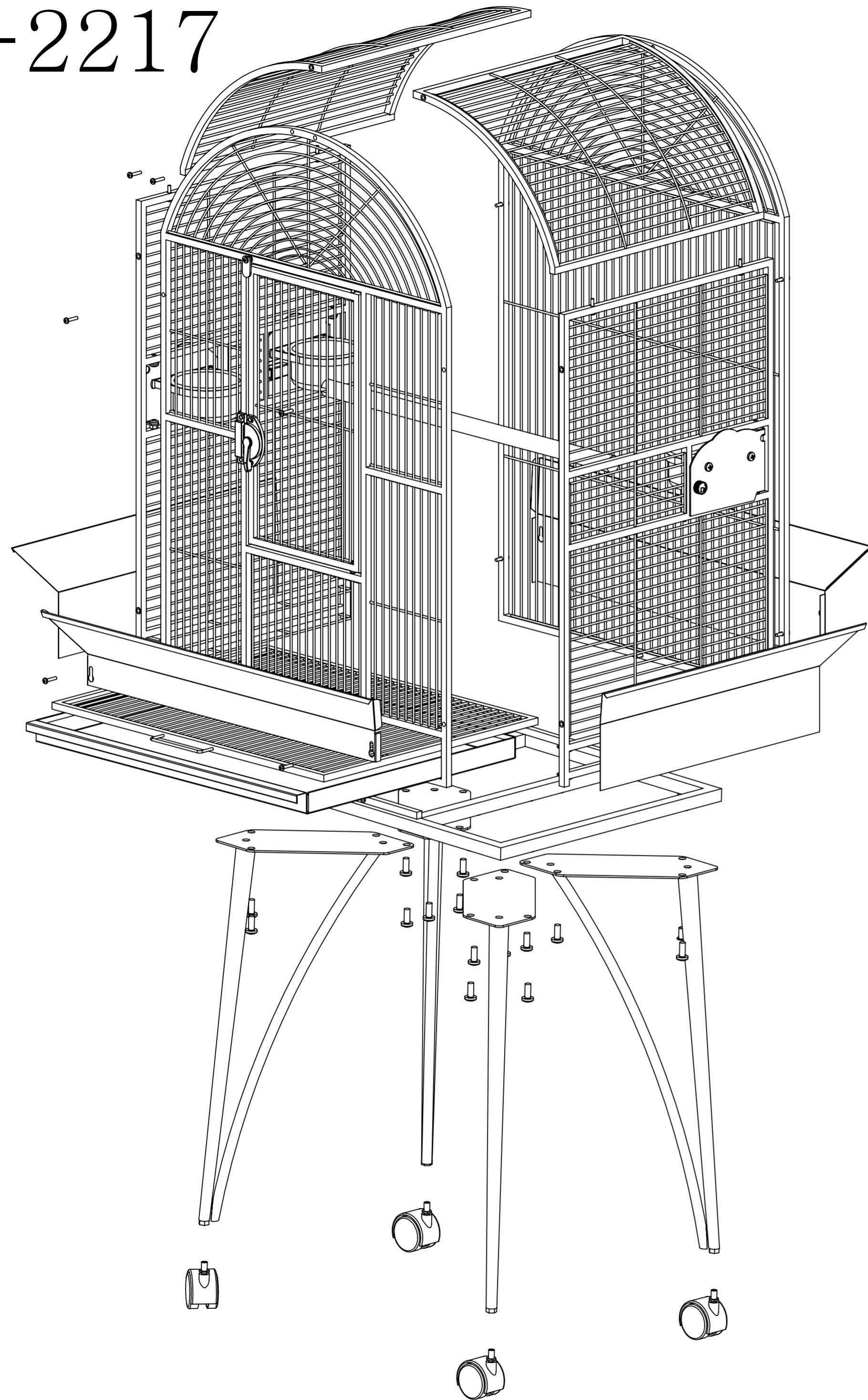


2-2217

Box List



| Item No: 2-2217 | | Worker | Q C | ganger |
|----------------------------|----------|--------|-----|--------|
| Box | | | | |
| Part name | Quantity | | | |
| Front wire(前网) | 1pcs | | | |
| Back wire(后网) | 1pcs | | | |
| Left wire(左网) | 1pcs | | | |
| Right wire(右网) | 1pcs | | | |
| Leg frame(脚框) | 1pcs | | | |
| Grill(密网) | 1pcs | | | |
| Top panel(wire)(盖网) | 1pcs | | | |
| Legs(脚) | 1pcs | | | |
| Tray(盆) | 1pcs | | | |
| Seed guards(裙边) | 4pcs | | | |
| Perch(木棍) | 1pcs | | | |
| Assembly Instructions(包装图) | 1pcs | | | |
| Wheels(1.5寸8厘脚轮) | 4pcs | | | |
| Feeders(4寸杯) | 2pcs | | | |
| Holder(4寸合圈) | 2pcs | | | |
| Screw bag(螺丝包) | 1pcs | | | |

1. Screw 4 x wheels onto bottom of the 4 x legs ;
2. Attach 4 x legs and leg frame together with screws to form a stand;
3. Assembly front 、 back、 left、 right wire together with screws to form a body;
4. Assembly top wire on the top of the body;
5. Put the cage on the stand;
6. Contact cage and stand tightly with screws ;
7. Slide grill and tray into the cage;
8. Insert seed guard into bottom of the cage;
9. Put the feeder dish into the dish door and put the perches into the cage.