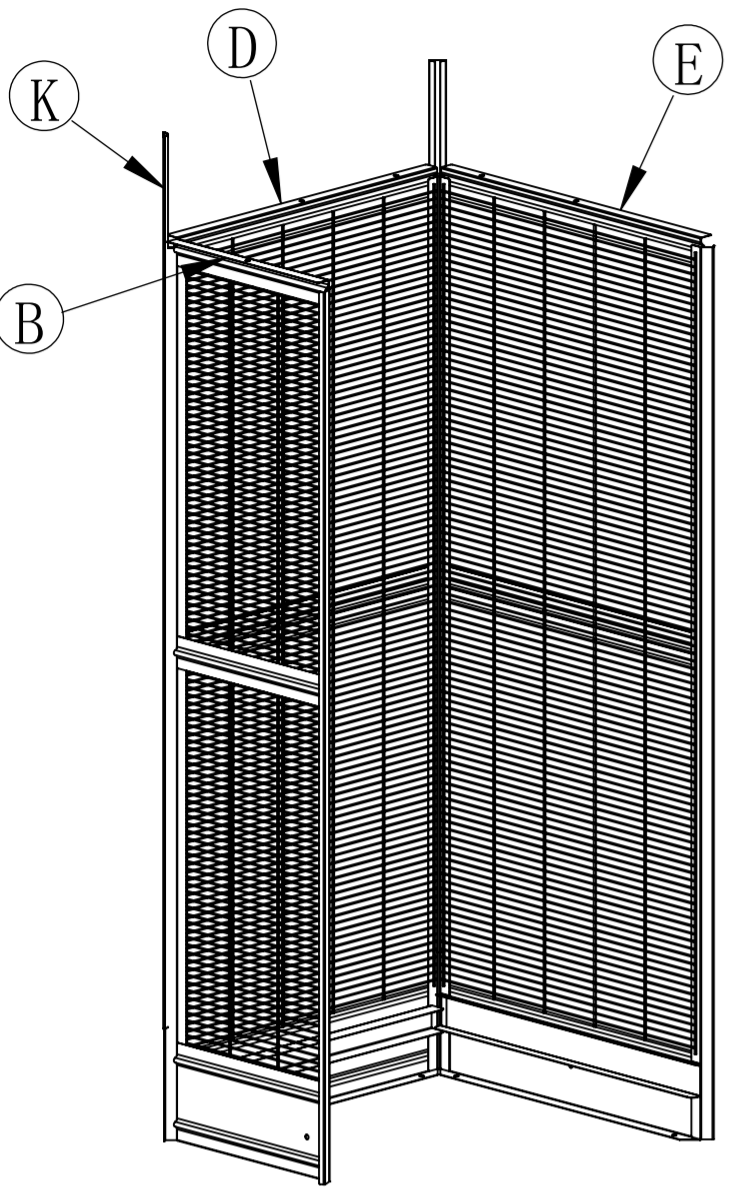


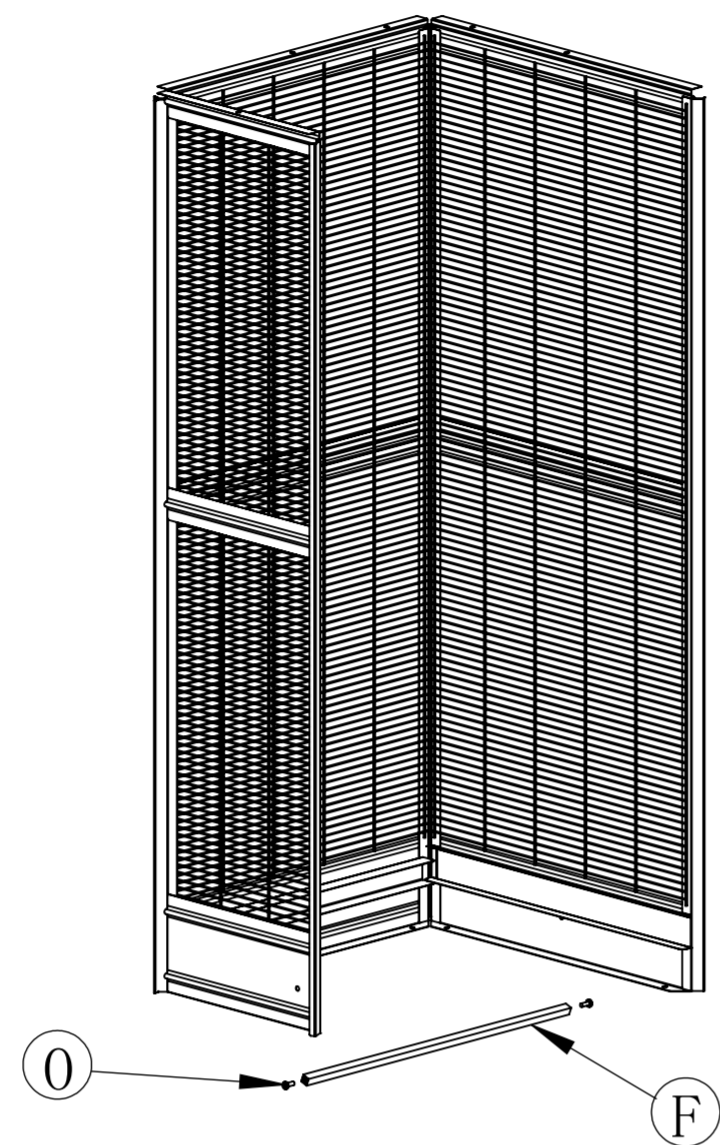
Aufbauanleitung/assembly instructions

Box List

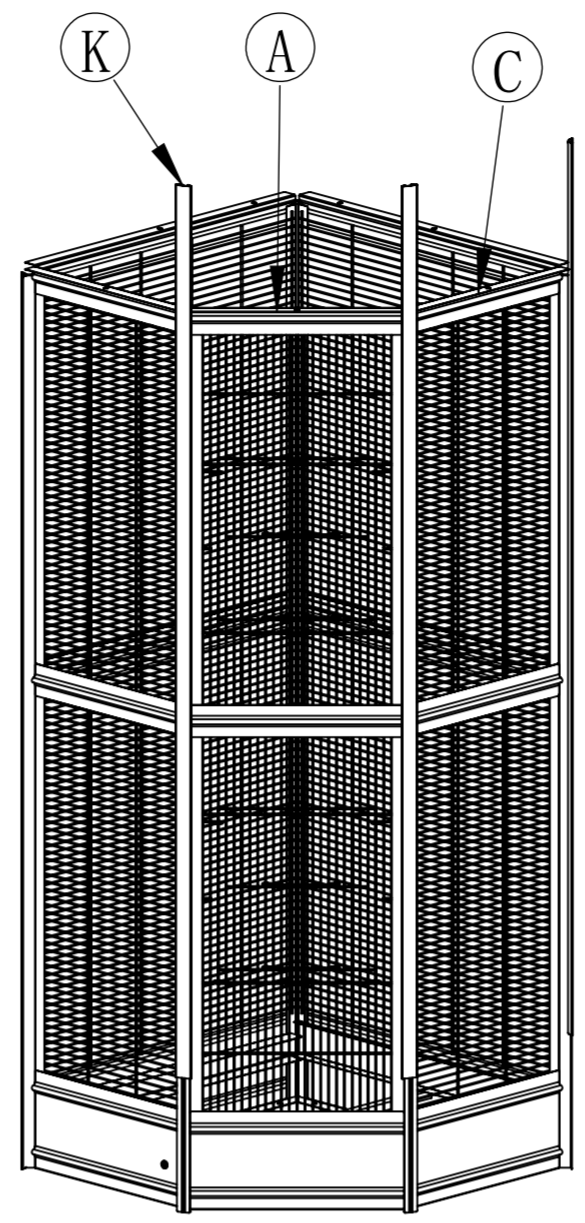
Item No: 100G-3		
Box		
Part name	Quantity	
A	Front Panel (前网部件)	1pcs
B	Left Panel (左网部件)	1pcs
C	Right Panel (右网部件)	1pcs
D	Back Left Panel (后左网部件)	1pcs
E	Back Right Panel (后右网部件)	1pcs
F	Frame Bar (支架方管部件)	1pcs
G	Roof (平顶盖板)	2pcs
H	Triangle Plate (三角脚板)	5pcs
I	Tray (拖盘部件)	1pcs
J	Grill (密网)	1pcs
K	Attaching clamp (插条)	5pcs
L	Perch (木棍)	2pcs
M	Cup (鸟食杯)	2pcs
N	Wheels (2寸8厘脚轮)	5pcs
O	Screw bag (螺丝包)	1pcs



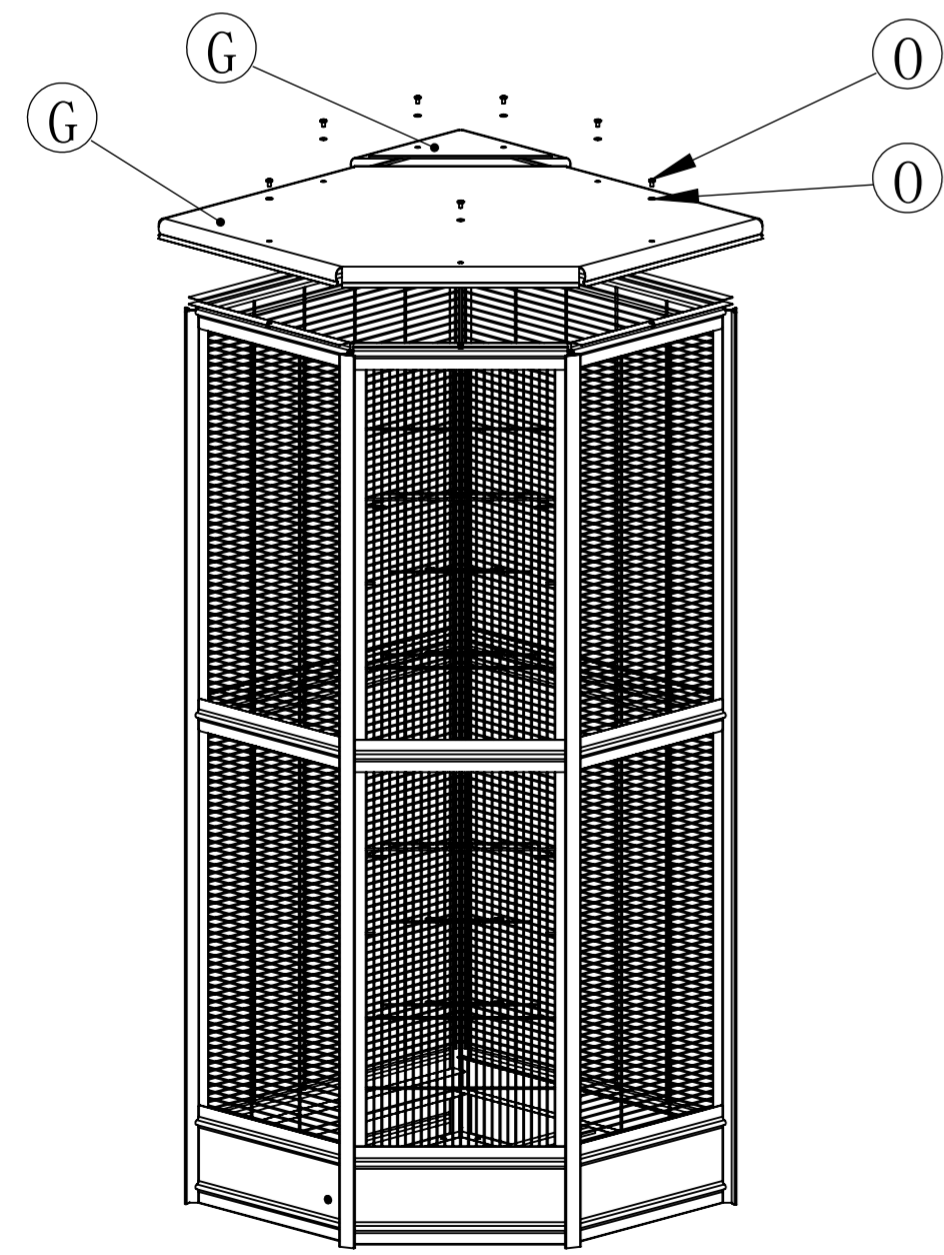
1、Attach part B、D and E with K(attaching clamp)



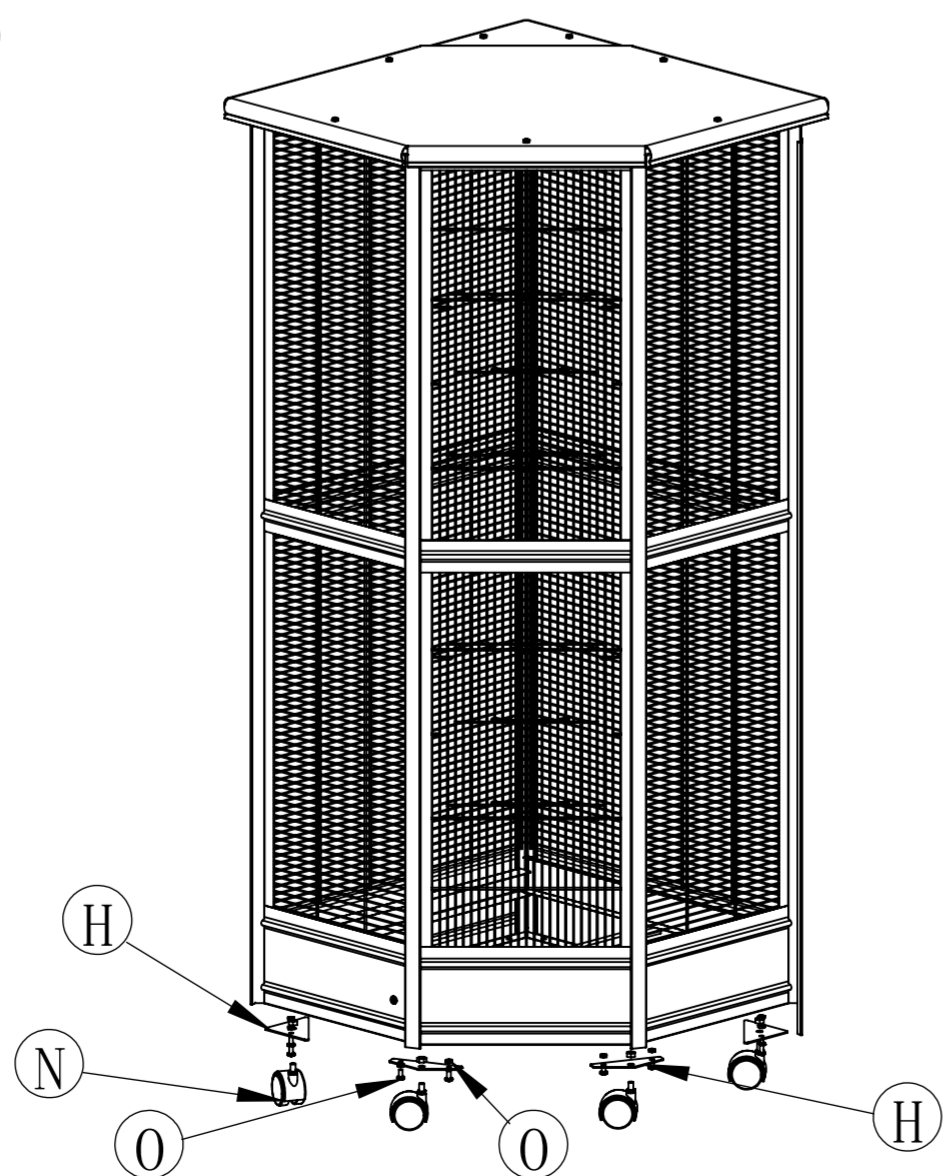
2、Attach left panel B and back right panel E with frame bar F and screws O.



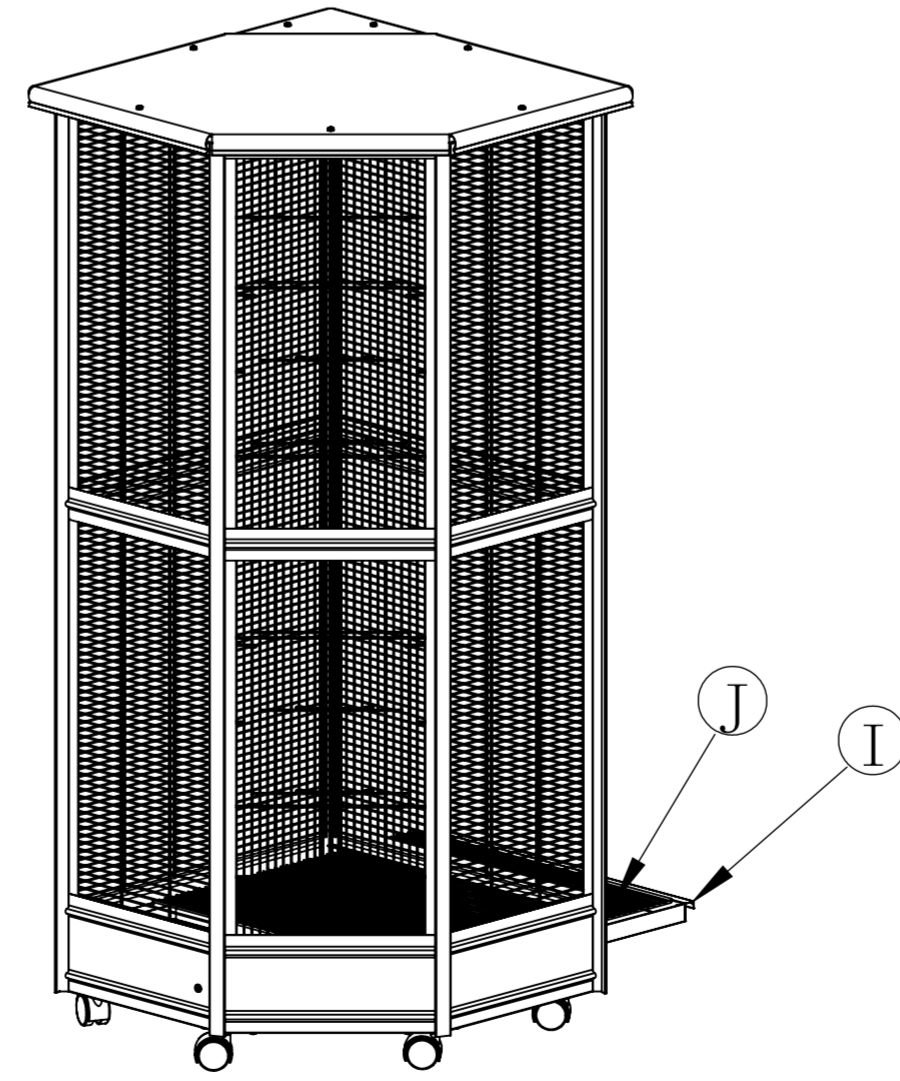
3、Attach front panel A、right panel C and back right panel with attaching clamp K.



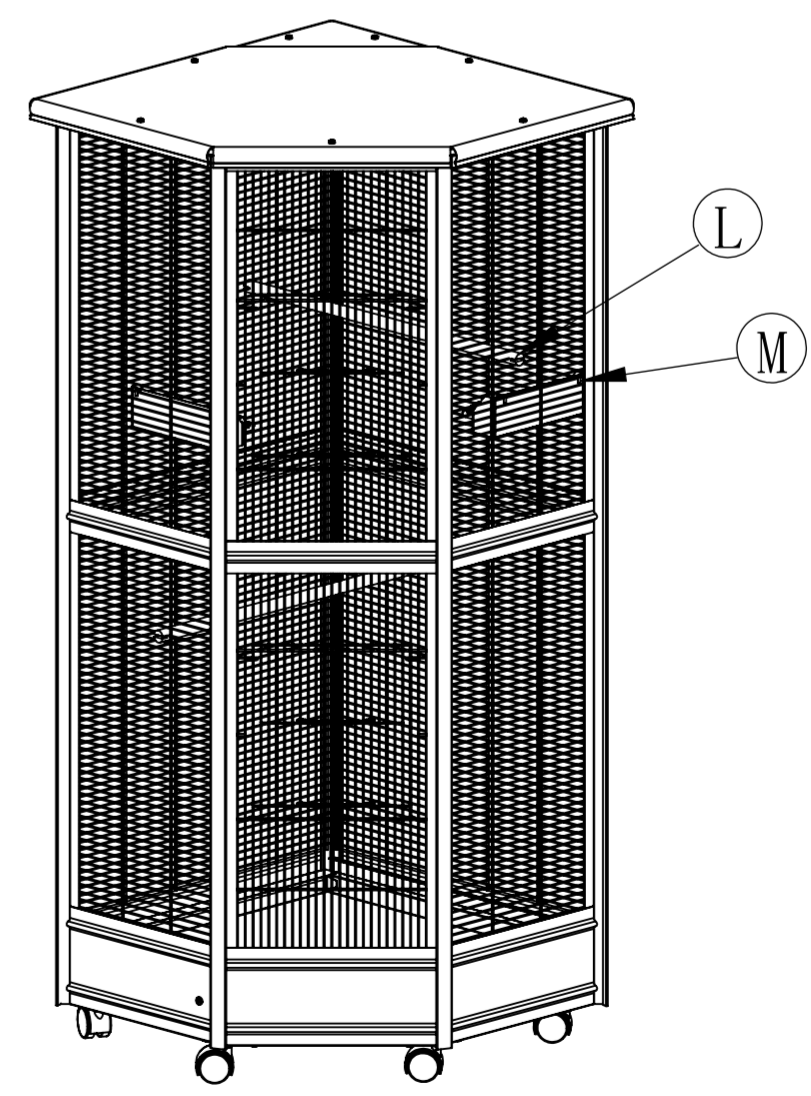
4、Screw roofs G to the cage body with O.



5、Screw the triangle plates H and wheels N to the cage bottom.



6、Put tray I and grill J into the cage (as shown in the bottom part).



7、Put perches L and cups M into the cage.