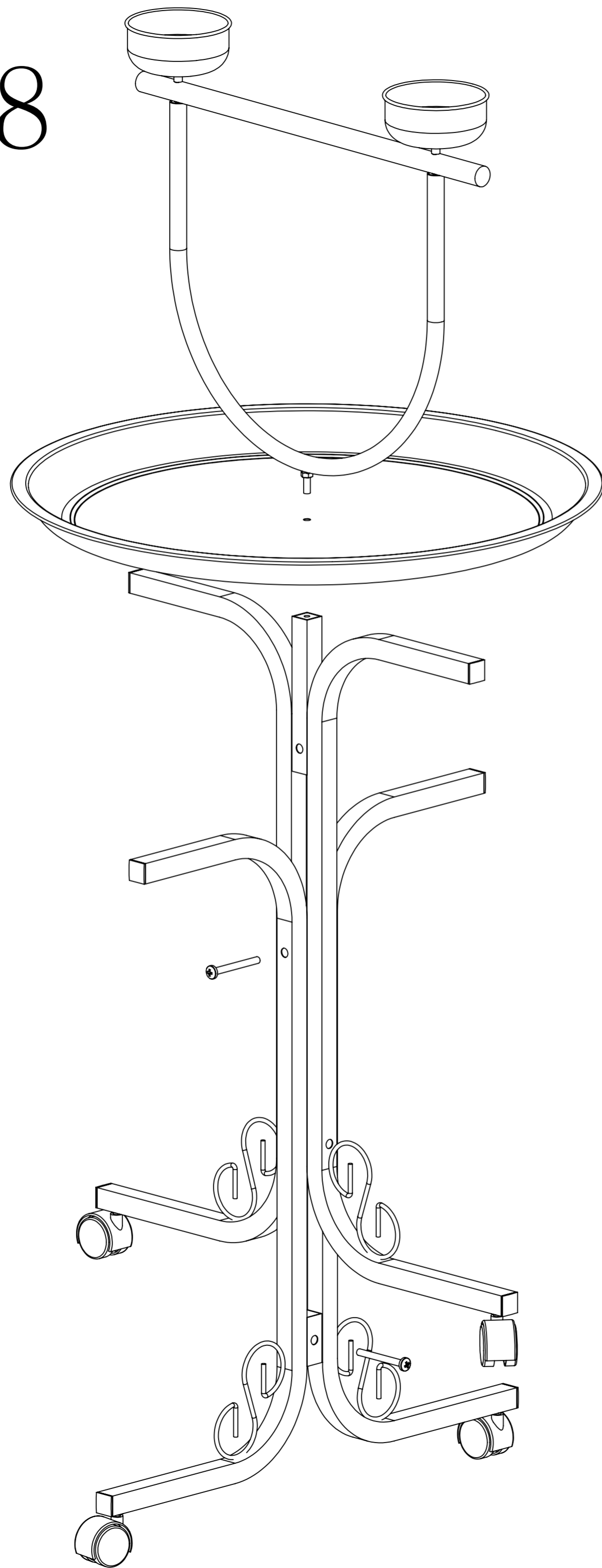


# J8-2828



## Box List

Item No: J8-2828				
Box		Worker	Q C	ganger
Part name	Quantity			
Legs(脚架)	2pcs			
"U" tube(U型支架)	1pcs			
Perch(支架木棍)	1pcs			
Cup(5寸大边杯)	2pcs			
Tray (J8-2828盆)	1pcs			
AssemblyInstructions(包装图)	1pcs			
Wheels(1.5寸8厘脚轮)	4pcs			
Screw bag(螺丝包)	1pcs			

1. Screw wheels onto bottom of 2x legs ;
2. Assembly 2x legs together with screws ;
3. put the tray on stand ;
4. Screw the "U" tube consult the picture.
5. put the perch on "U" tube ;
6. Screw two feeder dish onto "U" tube.