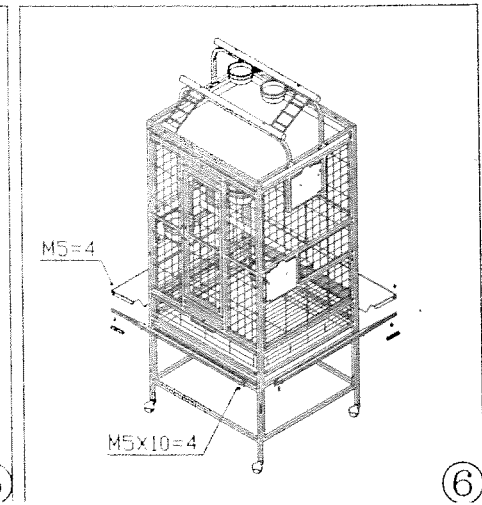
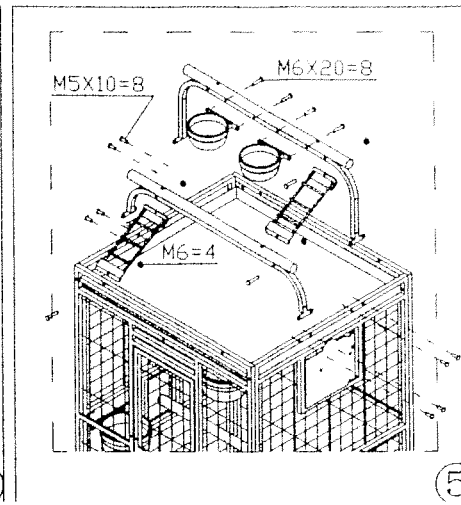
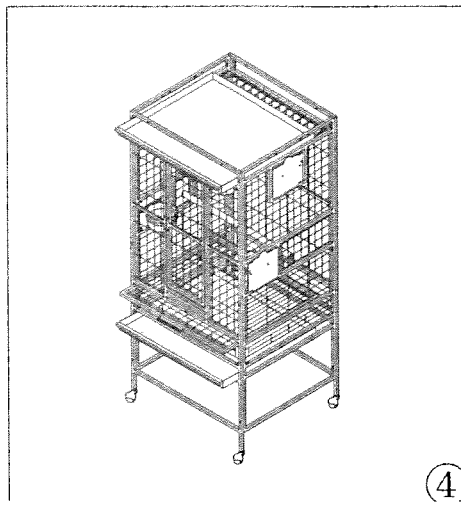
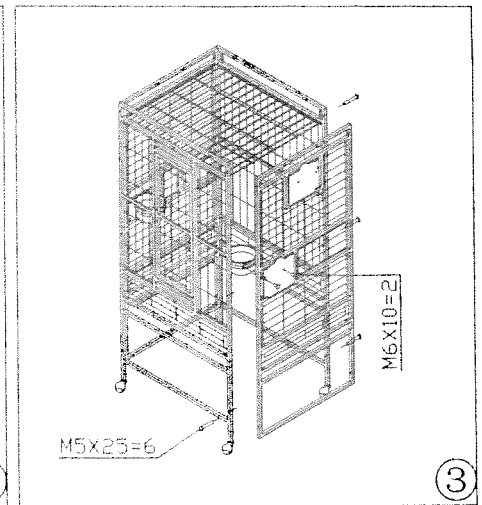
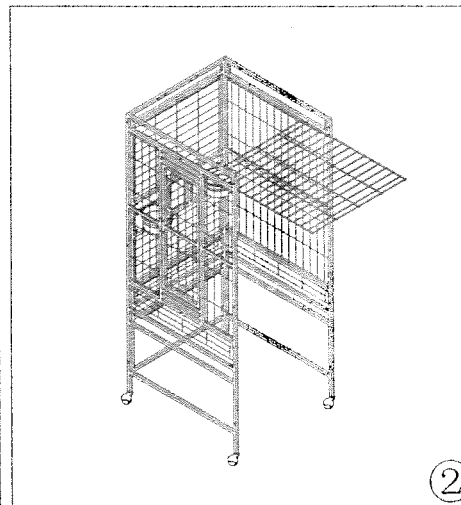
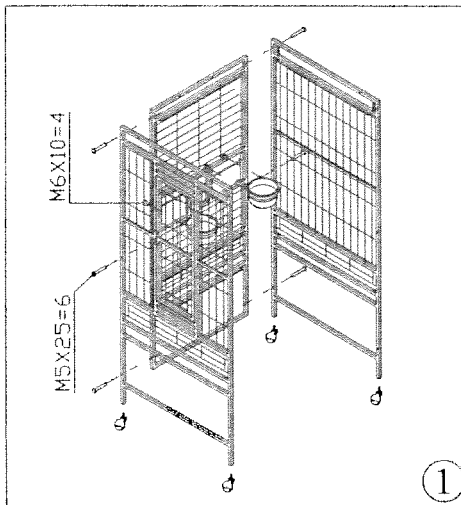
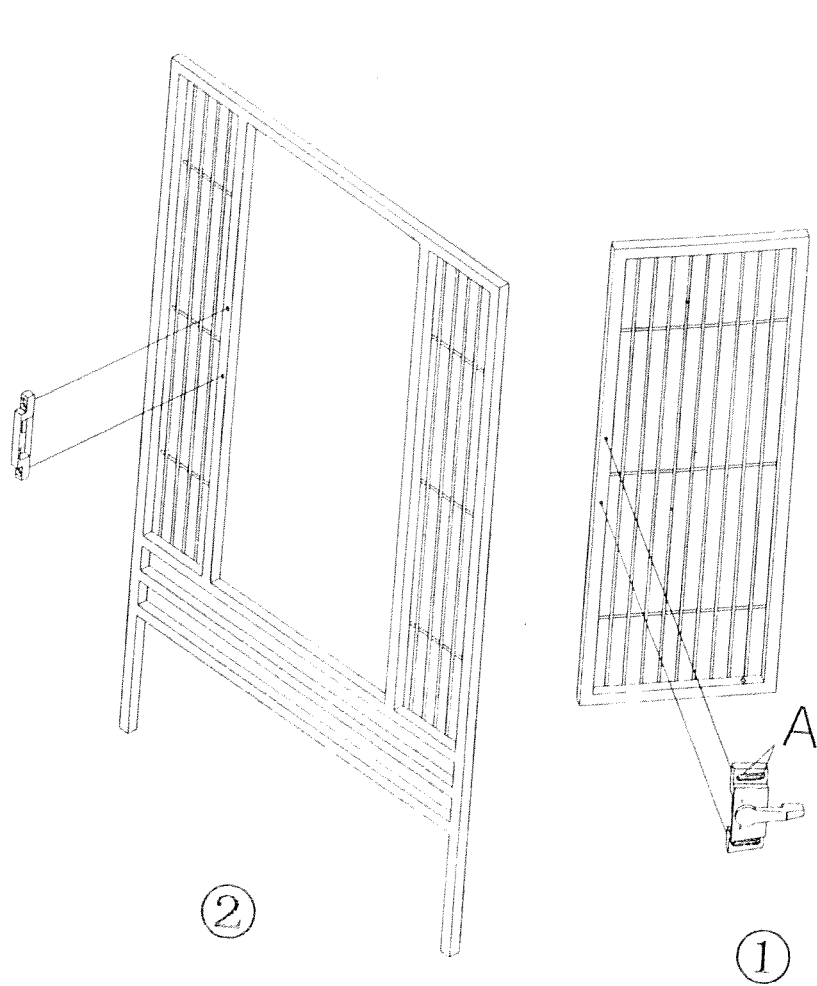
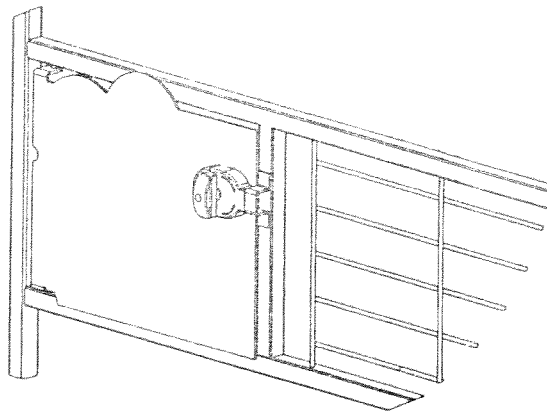
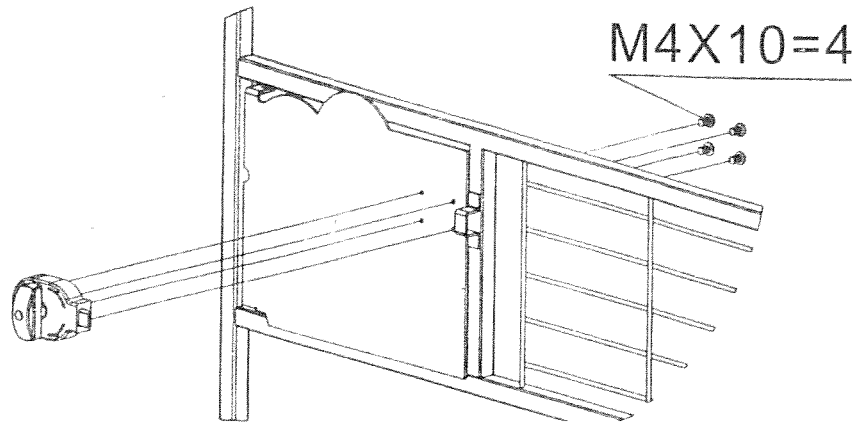


- U M5X10=12
- V M5X25=12
- W M5=4
- X M6X10=6
- Y M6=4
- Z M6X20=8





1. Please follow the instructions ① and ② to install the lock.
2. To adjust the position of lock over the lock's A of ①.



M4X25=2

Spring

