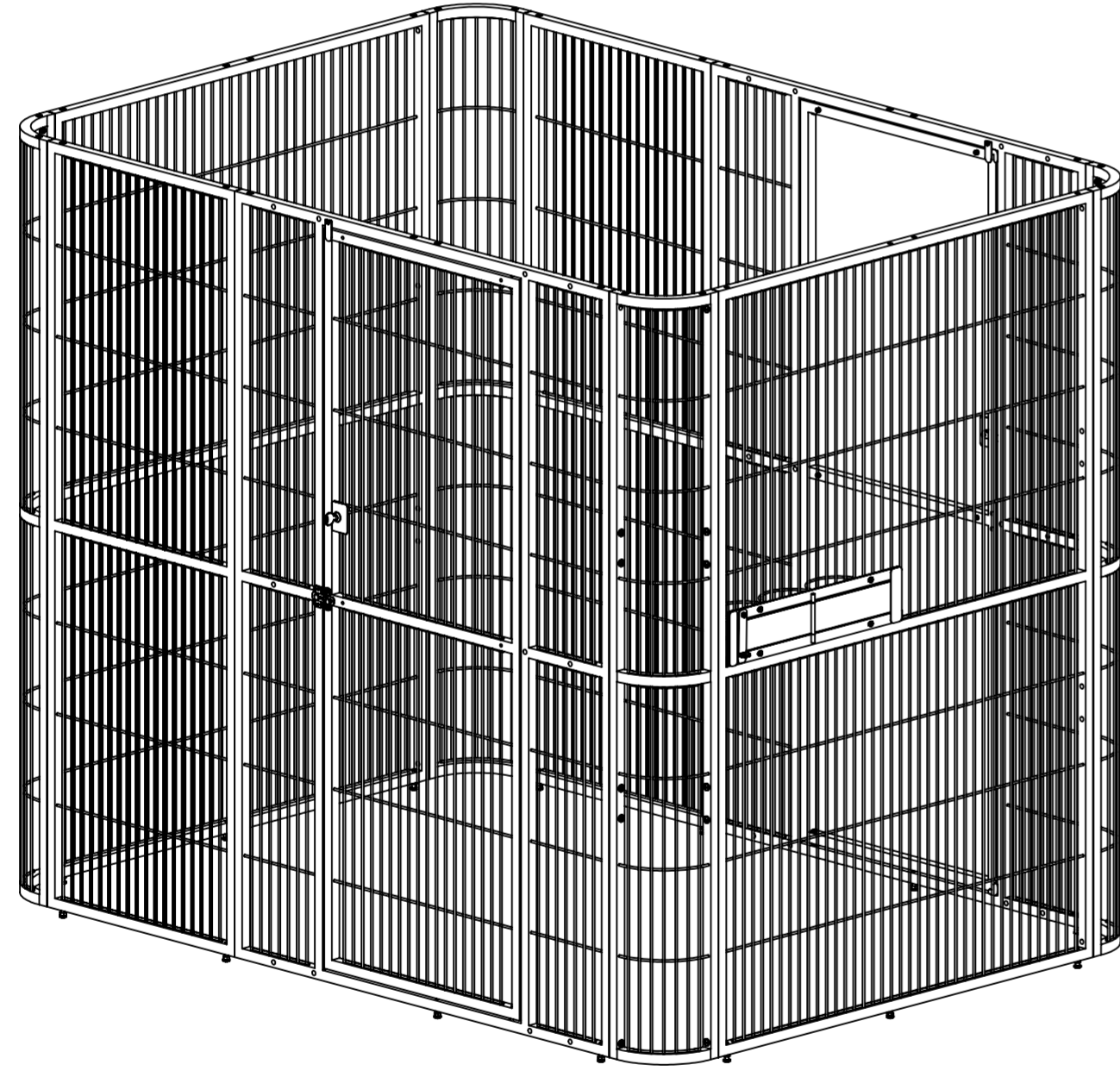


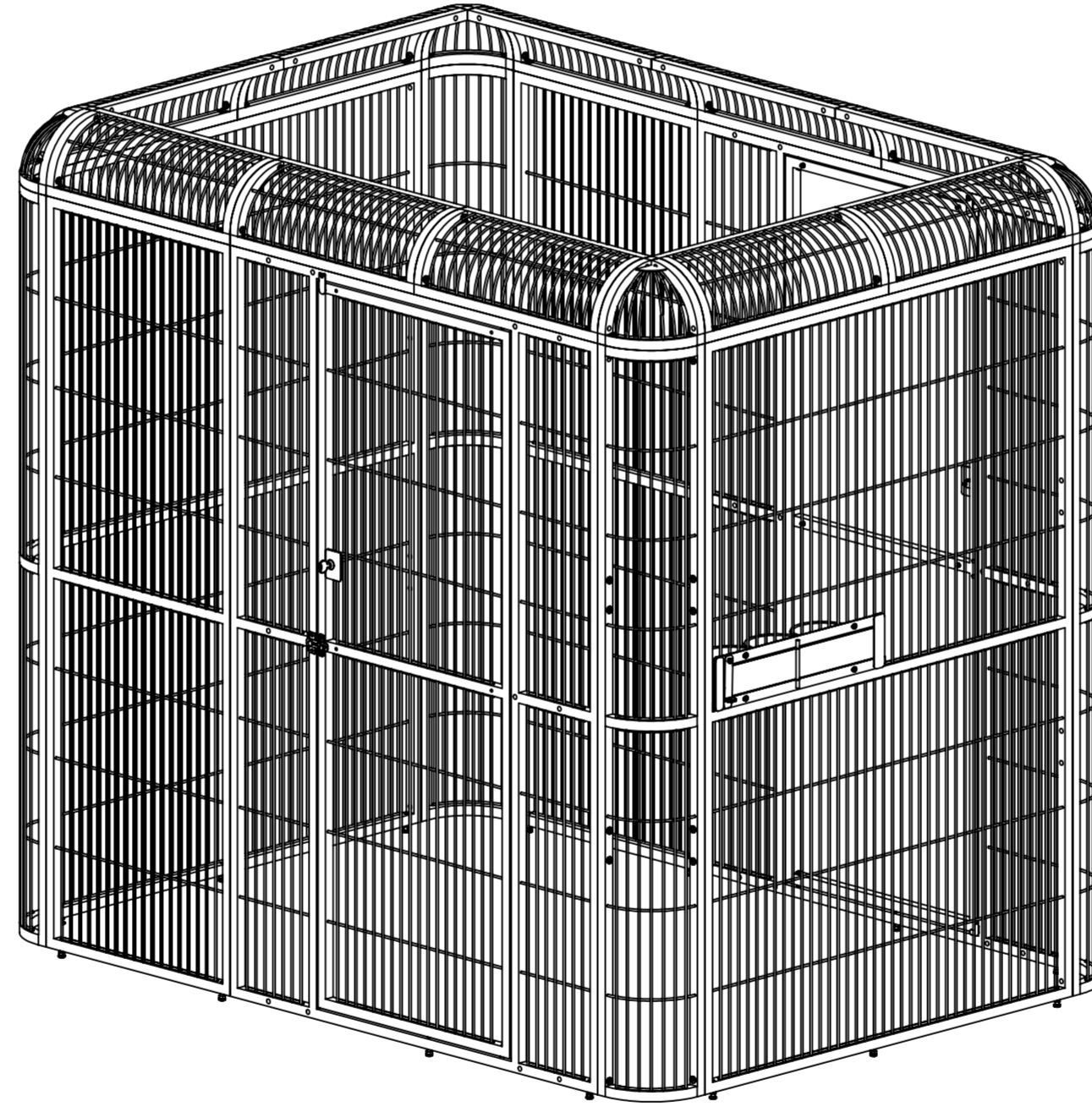
WI8662

Box List

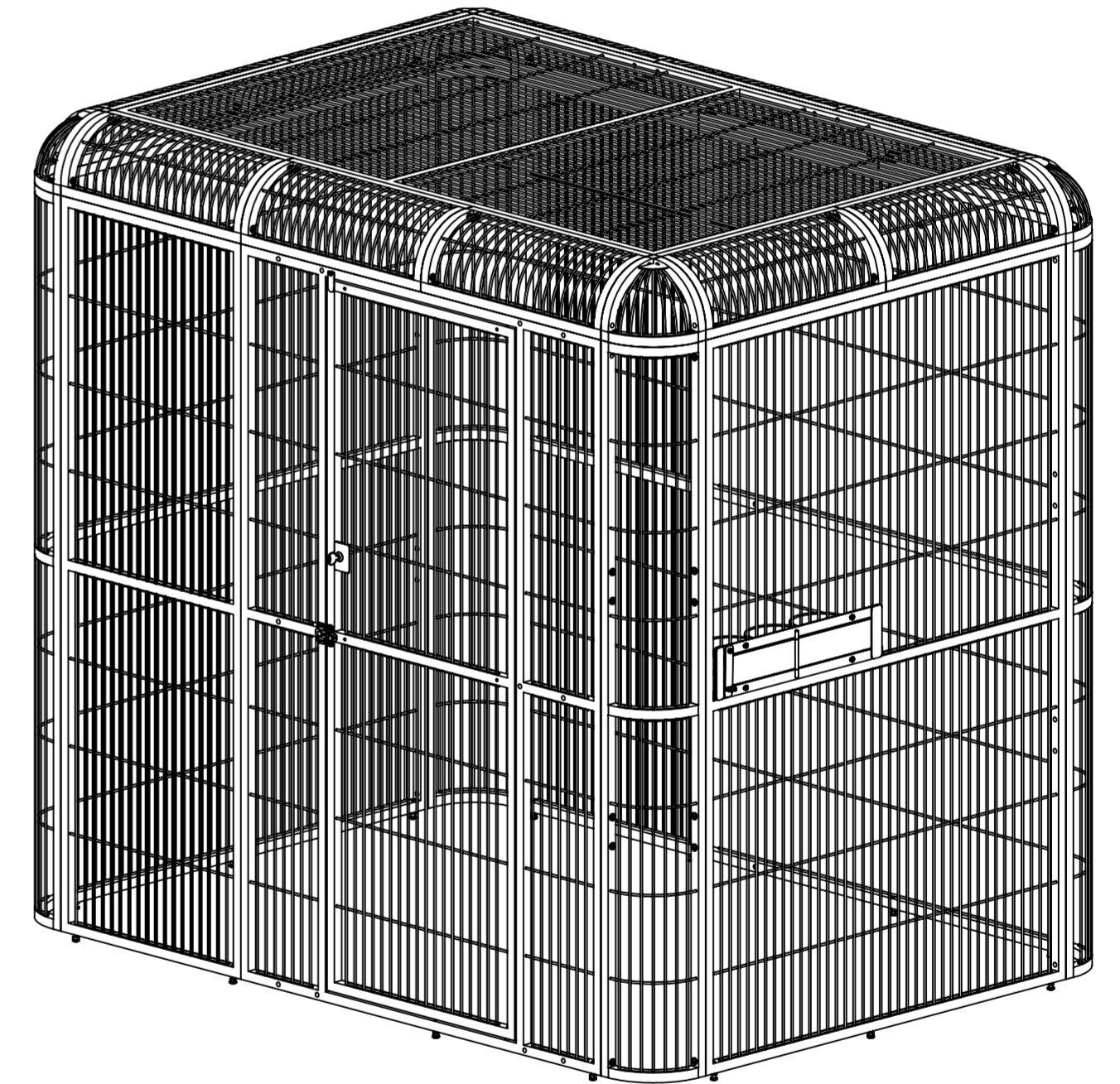
Box 1/3		Worker	Q C	ganger	Box 3/3		Worker	Q C	ganger
Part name	Quantity				Long arc Panel (长圆弧网)	4pcs			
Front Left Panel (前左网)	1pcs				Short arc Panel (短圆弧网)	10pcs			
Front Right Panel (前右网)	1pcs				Corner arc Panel (圆弧角网)	4pcs			
Back Left Panel (后左网)	1pcs				Stainless Steel Cup (不锈钢杯)	3pcs			
Back Right Panel (后右网)	1pcs				Feeder station (喂食站)	1pcs			
Box2/3		Worker	Q C	ganger	Screw bag (螺丝包)	1pcs			
Left Panel (左网)	1pcs								
Right Panel (右网)	1pcs								
Roof Panel (盖网)	1pcs								



1、Screws front、back、left and right panels together with corner arc panels.



2、Screws all arc panels for top to cage body.



3、Screws roof to top arc panels.