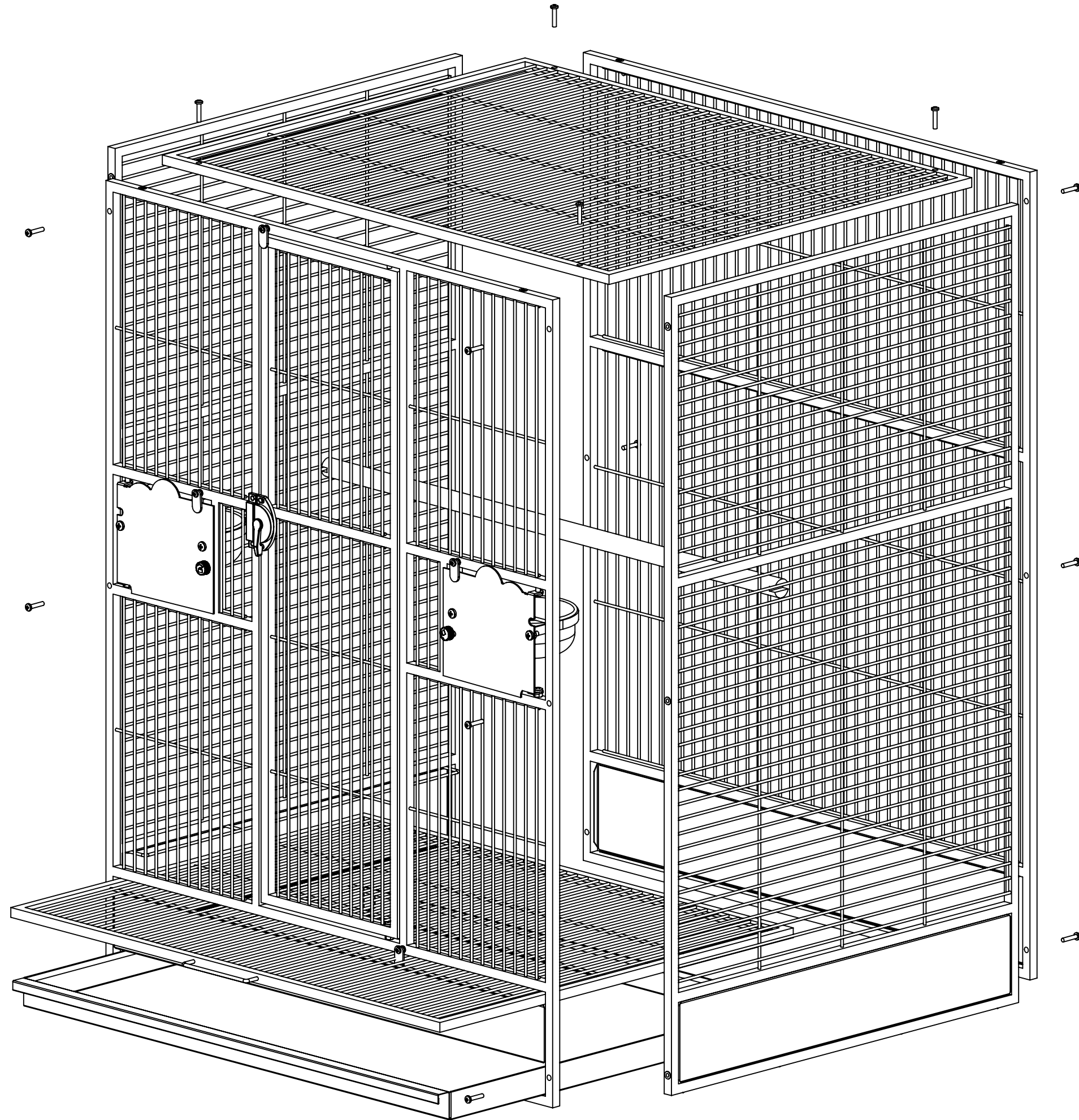


# 1-3226FL

## Box List



Item No:	1-3226FL			
Box 1/1		Worker	Q C	ganger
Part name	Quantity			
Front wire(前网)	1pcs			
Back wire(后网)	1pcs			
Left wire(左网)	1pcs			
Right wire(右网)	1pcs			
Assembly Instructions(包装图)	1pcs			
Top wire(盖网)	1pcs			
Grill(密网)	1pcs			
Tray(铁盆)	1pcs			
Bottom perch(下木棍)	1pcs			
Feeders(5寸杯)	2pcs			
Holder(5寸合圈)	2pcs			
Screw bag(螺丝包)	1pcs			

1. Attach front 、 back、 left、 right wire together with screws.
2. Assembly top wire on top of the body with screws.
3. Slide grill in space underneath the front door.
4. Slide tray in space underneath front seed guard .
5. Screw 2x door feeders on inside of 2x doors.
6. Open the front door and put perch from left to right inside the body.