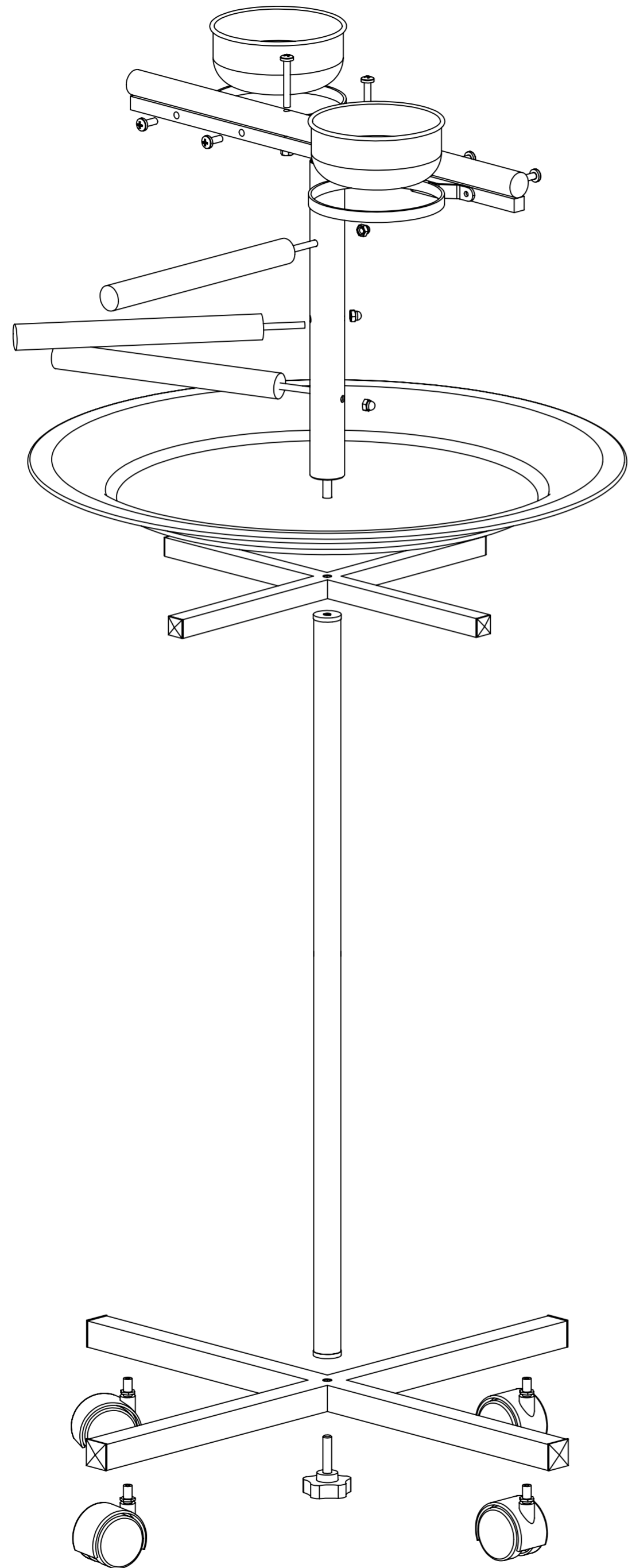


J13

Box List



Item No: J13				
Box		Worker	Q C	ganger
Part name	Quantity			
"十" Leg frame("十"字脚框)	1pcs			
"十" frame("十"字框)	1pcs			
Round tube (圆管)	1pcs			
Tube (方管)	1pcs			
Stainless steel tray(不锈钢盆)	1pcs			
Stair perches (梯架木棍)	3pcs			
Perch(木棍)	1pcs			
Feeders(5寸杯)	2pcs			
Holder(5寸合圈)	2pcs			
Wheels(2寸8厘脚轮)	4pcs			
Assembly Instructions(包装图)	1pcs			
Screw bag(螺丝包)	1pcs			

1. Screw 4x Wheels onto bottom of the "十" leg frame ;
2. Assembly 2x round tubes、top "十"frame、leg frame together with screws ;
3. Put the tray on the top "十"frame and screw the top round tube on top.
4. Screw tube and perch on the top of the round tube.
5. Screw 3x stair perches the round tube .
6. Screw the feeder dish onto the tube.