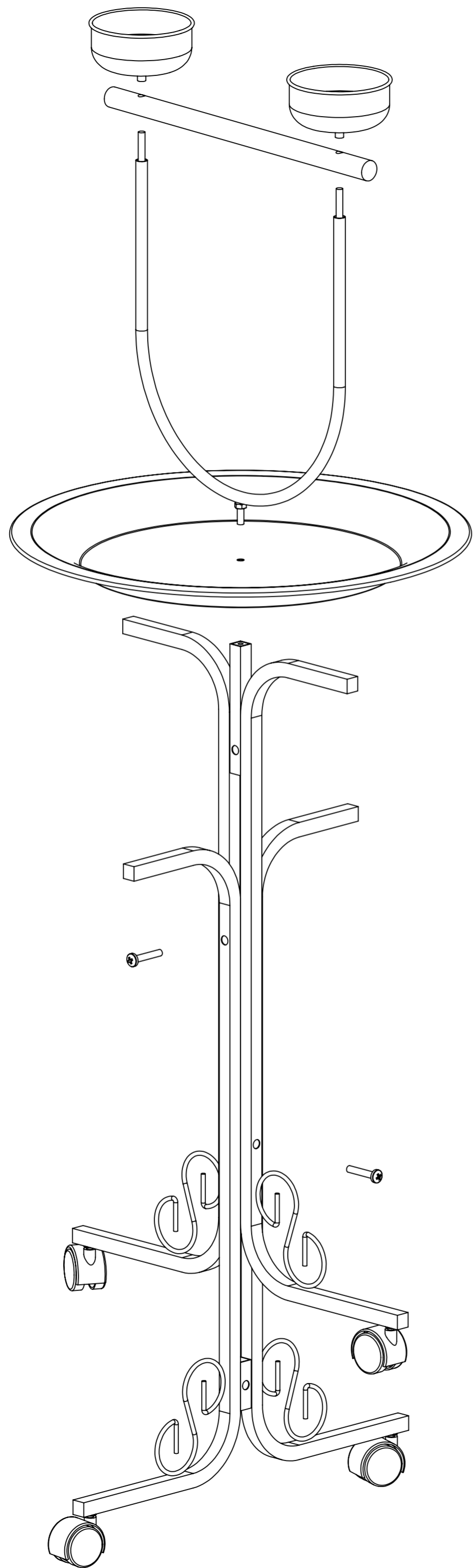


J8-2222



Box List

Item No: J8-2222				
Box		Worker	Q C	ganger
Part name	Quantity			
Legs (脚架)	2pcs			
"U" tube (U型支架)	1pcs			
Perch (支架木棍)	1pcs			
Cup (5寸大边杯)	2pcs			
Tray (J8-2222盆)	1pcs			
Assembly Instructions (包装图)	1pcs			
Wheels (1.5寸M8脚轮)	4pcs			
Screw bag (螺丝包)	1pcs			

1. Screw wheels onto bottom of 2 x legs ;
2. Assembly 2 x legs together with screws ;
3. Put the tray on stand ;
4. Screw the "U" tube consult the picture.
5. Put the perch on "U" tube ;
6. Screw two feeder dish onto "U" tube.