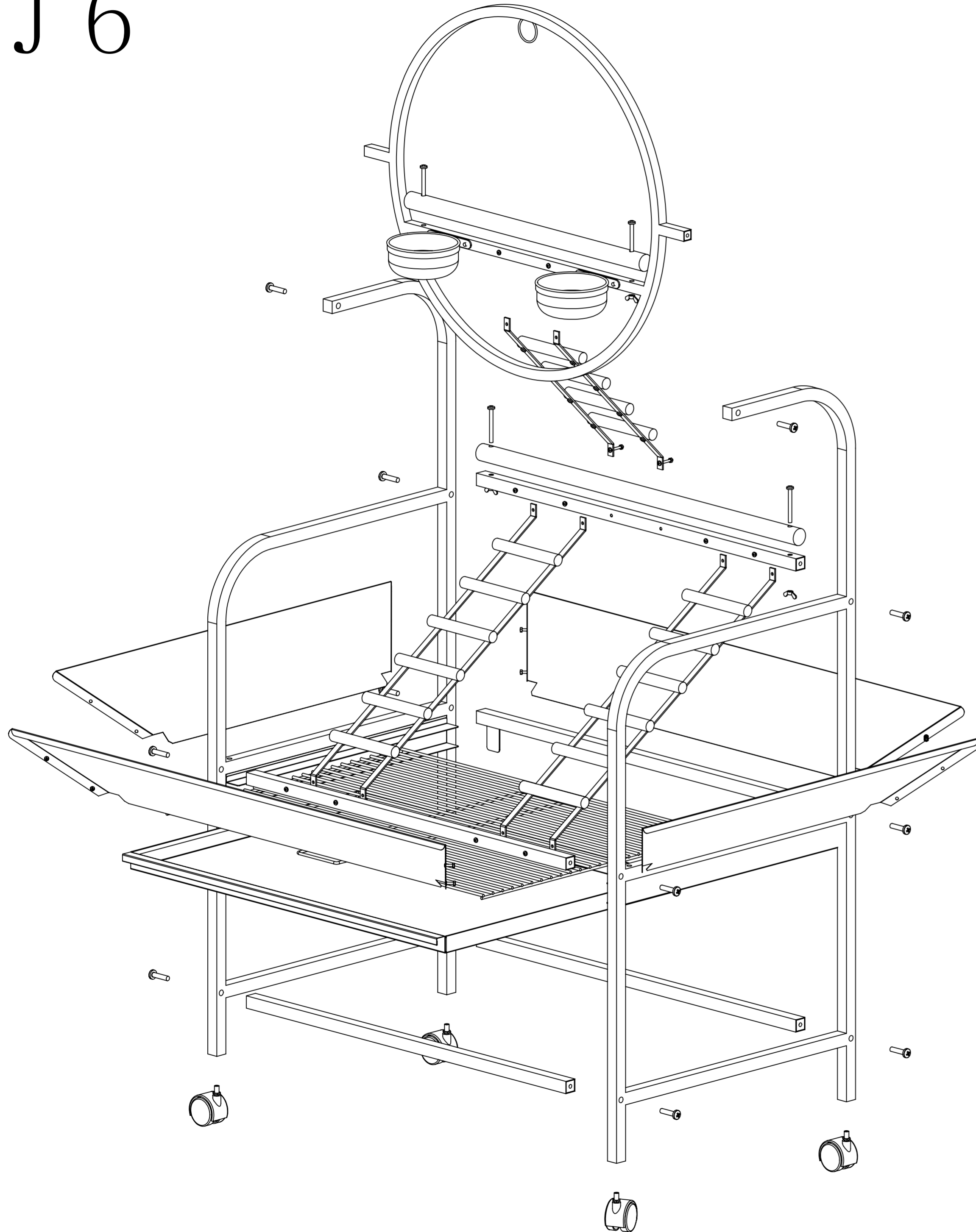


J 6

Box List



Item No: J 6		Worker	Q C	ganger
Box				
Part name	Quantity			
Left leg(左脚框)	1pcs			
Right leg(右脚框)	1pcs			
Big circle(大圈)	1pcs			
Tube(方管)	5pcs			
Grill(密网)	1pcs			
Assembly Instructions(包装图)	1pcs			
Tray(铁盆)	1pcs			
Seed guards(裙边)	4pcs			
Long stairs(长梯架)	2pcs			
Short stair (短梯架)	1pcs			
Upper perch(上木)	1pcs			
Back perch(后木)	1pcs			
Wheels(2寸8厘脚轮)	4pcs			
Feeders(4寸杯)	2pcs			
Holder(4寸合圈)	2pcs			
Screw bag(螺丝包)	1pcs			

1. Screw wheels onto bottom of left & right legs ;
2. Assembly left & right legs 、 5 x straight tube、 circle frame together with screws;
3. Screw the stair consult the picture.
4. Screw perch on the top of the tube.
5. Slide Tray and grill into the bottom of the frame;
6. Screw the feeder dish onto the perch.
7. Insert seed guard into bottom of the cage;