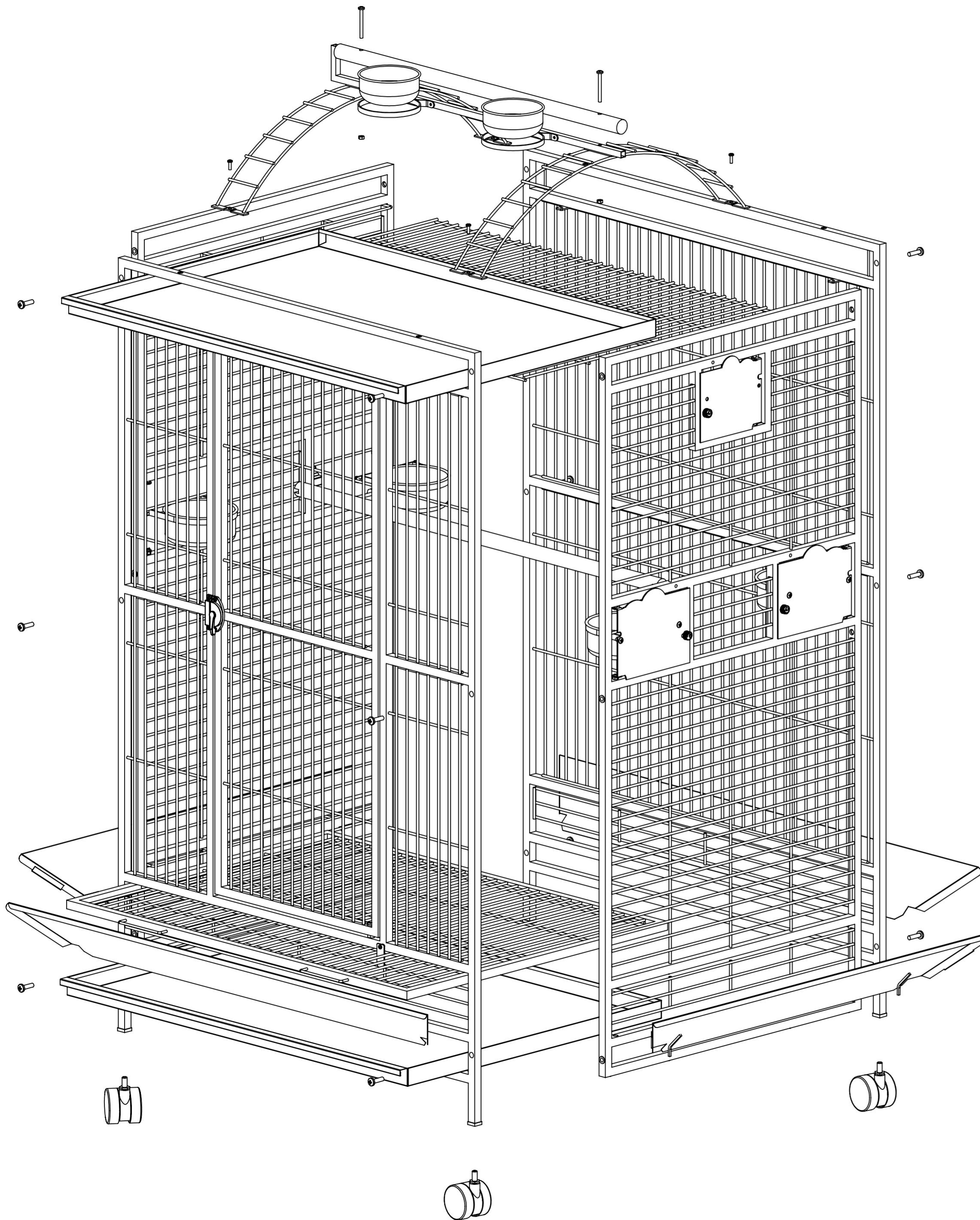


8004030SS



Box List

Item No: 8004030SS				
Box 1/2		Worker	Q C	ganger
Part name	Quantity			
Front wire(前网)	1pcs			
Back wire(后网)	1pcs			
Left wire(左网)	1pcs			
Right wire(右网)	1pcs			
Seed guards(裙边)	4pcs			
Playtop tube(支架方管)	1pcs			
Upper perch(上木)	1pcs			
Bottom perch(下木)	1pcs			
Toy hook(No include)(玩具钩)	1pcs			
Assembly Instructions(包装图)	1pcs			
Box 2/2		Worker	Q C	ganger
Grill(密网)	1pcs			
Top wire(盖网)	1pcs			
Tray(铁盆)	2pcs			
Wheels(3寸10厘米脚轮)	4pcs			
Feeders(5寸杯)	2pcs			
Feeders(6寸杯)	4pcs			
Holder(6寸合圈)	4pcs			
Stairs(支架)	2pcs			
Screw bag(螺丝包)	1pcs			

1. Screw 2x wheels onto bottom of front wire & back wire;
2. Attach front、back、left、right wire together with screws to form a body;
3. Slide top wire onto top of body;
4. Slide tray into the body from the front wire;
5. Put 4x seed guards in place above bar around the body;
6. Slide tray and grill into the body ;
7. Assembly stairs and toy hook stand onto the top of the body;
8. Open the front door and put perch from left to right inside the body;
9. Open the dish door and put feeders into the holders;
10. Fixup all the screws.