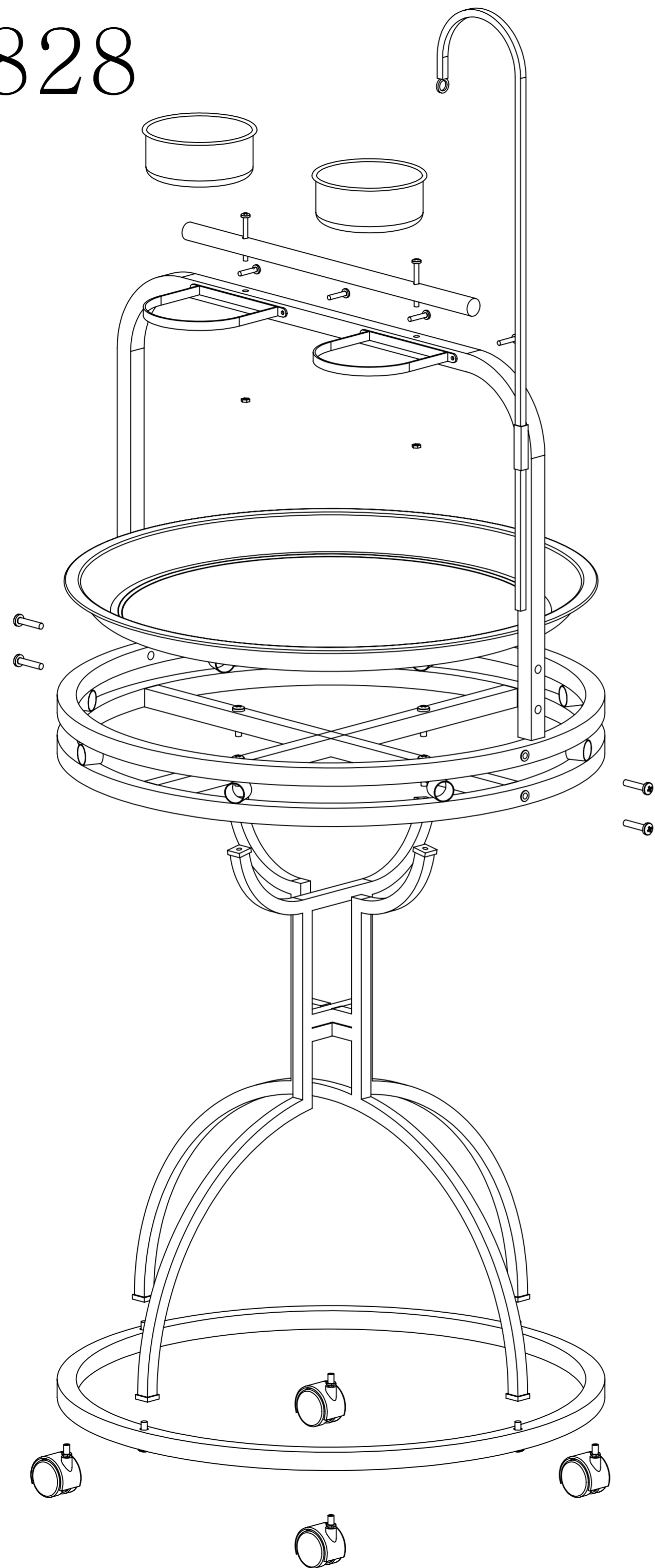


GD52828



Box List

Item No: GD52828		Worker	Q C	ganger
Box				
Part name	Quantity			
"U" tube (U型框)	1pcs			
Upper circle frame (上圆框)	1pcs			
Legs frame (脚框)	2pcs			
Bottom circle frame (底圆框)	1pcs			
Stainless steel base (不锈钢盆)	1pcs			
Toy hook (No include) (玩具钩)	1pcs			
Perch (木棍)	1pcs			
Assembly Instruction (包装图)	1pcs			
Wheels (1.5寸8厘脚轮)	4pcs			
Feeders (6寸杯)	2pcs			
Holder (6寸合圈)	2pcs			
Screw bag (螺丝包)	1pcs			

1. Assembly the two leg frames together.
2. attach bottom circle and leg frames with screws;
3. Screw 4x wheels onto the bottom circle.
4. Screw the upper double circle on the top of the two leg frames.
5. Put the tray on the upper double circle.
6. Screw the "U" frame on the upper double circle.
7. Put the Play toy on the "U" frame.